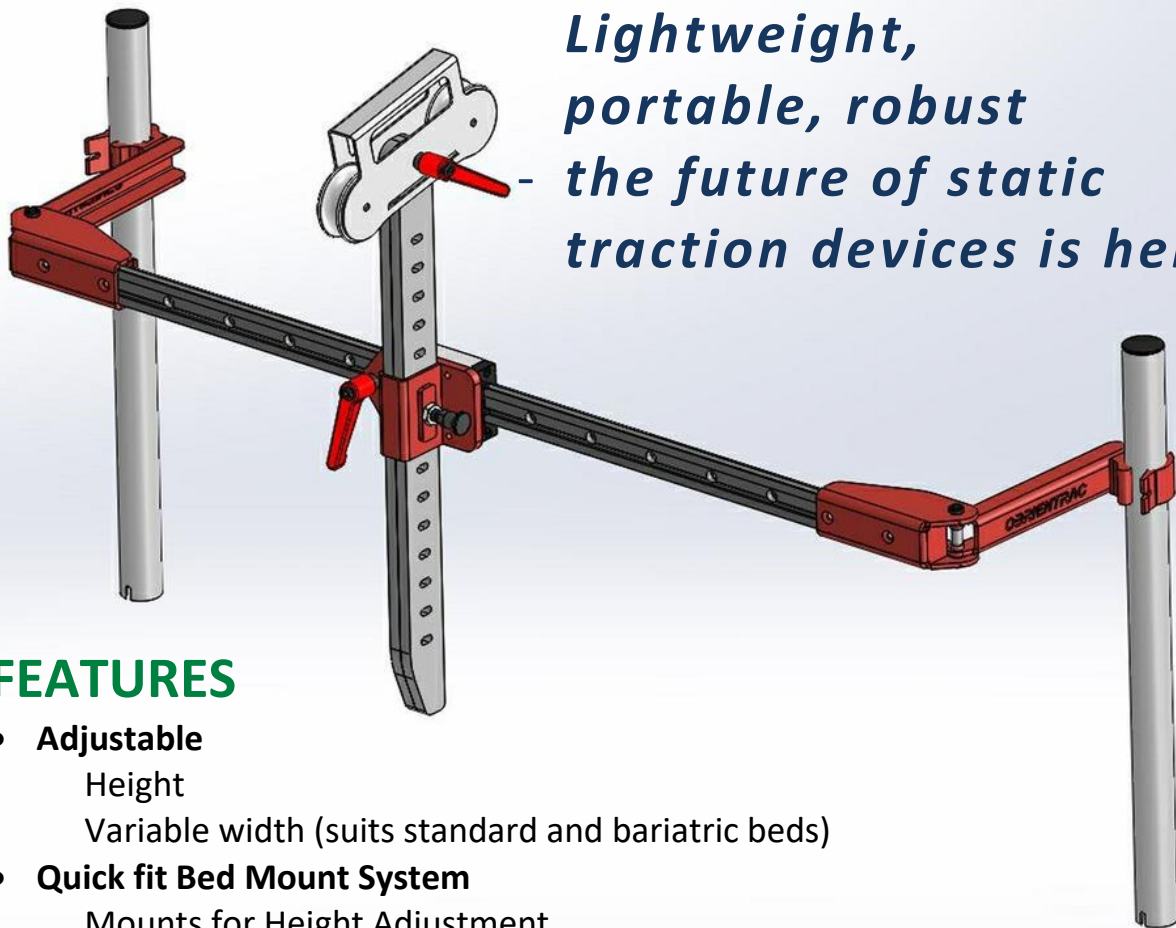


SECURTM TRAC

ORTHOPAEDIC BED TRACTION SYSTEM for CERVICAL, LUMBAR or LEG APPLICATIONS



*Lightweight,
portable, robust
- the future of static
traction devices is here*

FEATURES

- **Adjustable**
Height
Variable width (suits standard and bariatric beds)
- **Quick fit Bed Mount System**
Mounts for Height Adjustment
Adjustable Traction Pulley Head
Adjustable lock slide mechanism for device along horizontal plane
- **Maximum weight application: 40lbs**



The SecurTrac Ortho Bed Traction System applies a tensile force to create a distraction on body parts, e.g. cervical, leg or lumbar vertebrae. The SecurTrac attaches easily to most beds and is height adjustable, and can be positioned anywhere along the length of the slider bar. **Ideal for patients needing pelvic or cervical traction.**

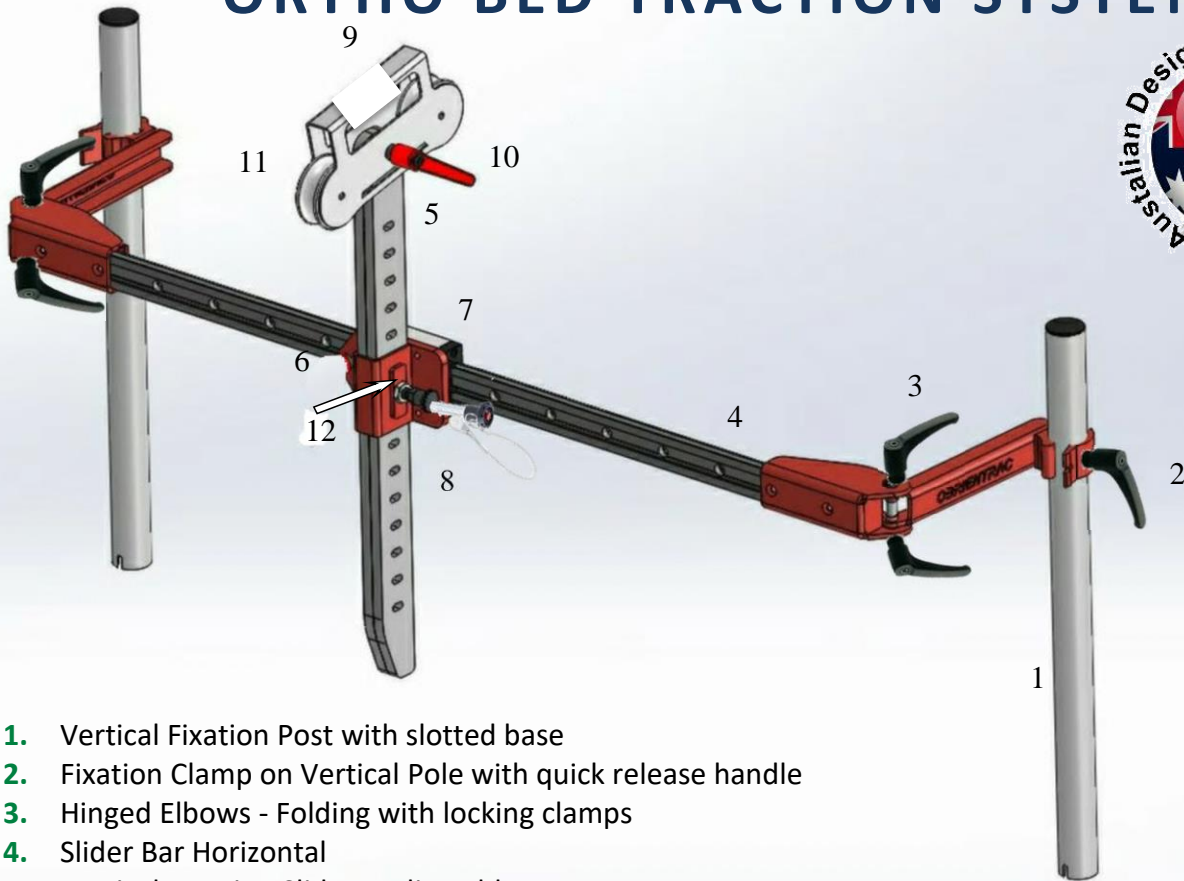
This device allows easy access to the patient allowing direct placement of Bucks Traction Boots or other garments to a water weight bag.

Please refer to your Physician for a prescribed weight application to suit specific use.

Note: not suitable for Halo Traction

SECURTM TRAC

ORTHO BED TRACTION SYSTEM



1. Vertical Fixation Post with slotted base
2. Fixation Clamp on Vertical Pole with quick release handle
3. Hinged Elbows - Folding with locking clamps
4. Slider Bar Horizontal
5. Vertical Traction Slider - Adjustable
6. Fixation Clamp for Slider Unit
7. Slider Unit
8. Vertical Locking tube - with attachment cable
9. Traction Header with 2 traction wheels - Maybe angled
10. Locking handle adjuster for Traction Header
11. Traction Pulley Wheel x 2
12. Pull release/fixation mechanism for (5) Vertical traction slider

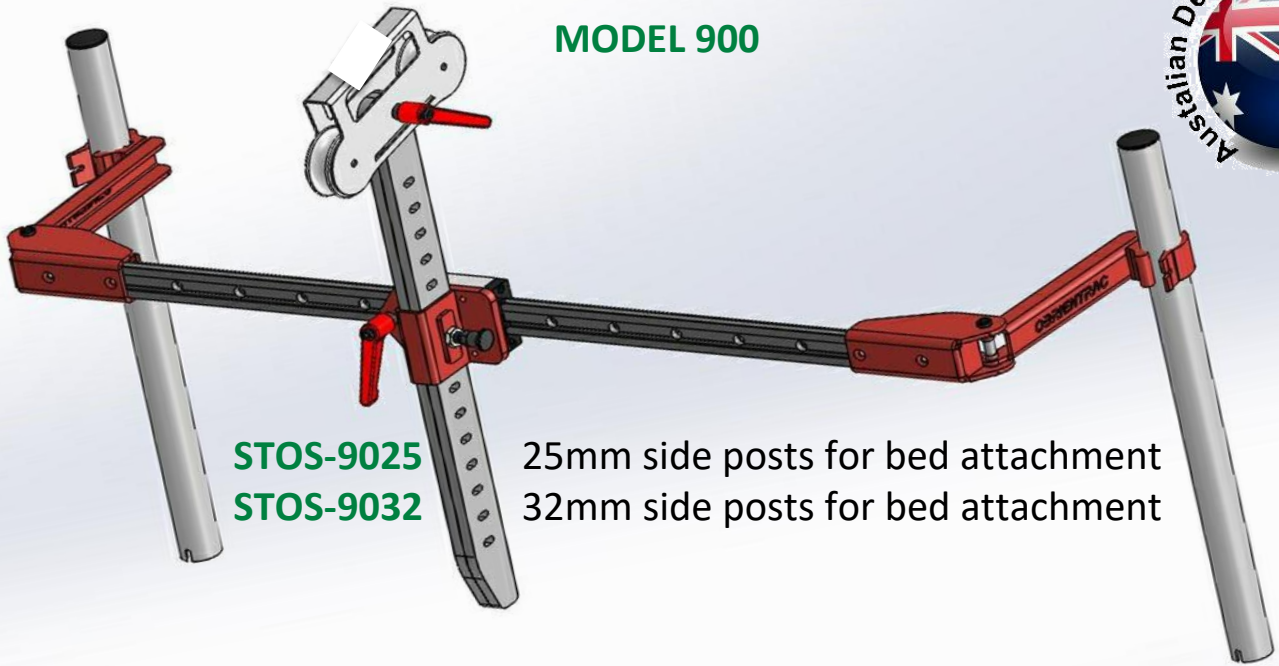
INSTRUCTIONS:

- A. Insert 1 Vertical Fixation post into side clamp with slotted end at base and tighten clamp 2
- B. Loosen clamp to allow hinge movement
- C. Insert 1 into bed end post holes and rotate post to allow slotted end to fix into bed post hole and tighten handle 2, then tighten handle 3 at both ends
- D. Loosen knob 6 and position slider unit into location and tighten
- E. Press button on vertical locking tube 8 and remove
- F. Hold vertical traction slider 5 and pull button
- G. Position slider to required height and release, check that it is fixed in positioning hole
- H. Replace 8 locking vertical tube handle-press centre-insert and release button
- I. Check all fittings are firm and then place traction cord through from patient

SECURTM TRAC

ORTHO BED TRACTION SYSTEM

MODEL 900



STOS-9025
STOS-9032

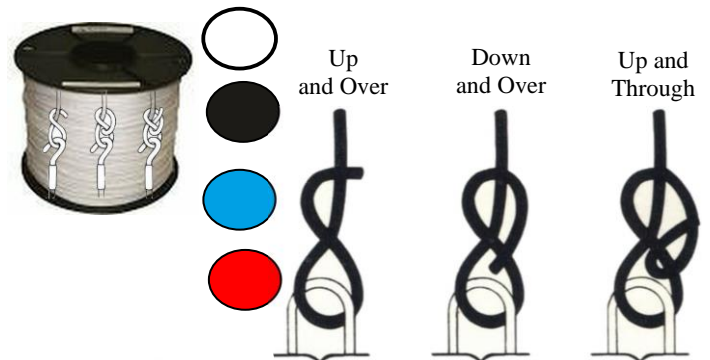
25mm side posts for bed attachment
32mm side posts for bed attachment

ACCESSORIES

Traction Cord

- Flexible polyester cord, high tensile-strength
- High abrasion resistance properties. UV stabilized

CODE	COLOUR	DIAMETER
STR-2512	White	2.5mm
STR-2552	Black	2.5mm
STR-2572	Blue	2.5mm
STR-2582	Red	2.5mm
STR-312	White	3.0mm
STR-352	Black	3.0mm
STR-372	Blue	3.0mm
STR-382	Red	3.0mm
TR336-90	White	3.5mm



Universal Vinyl Water Weight Bag

- For use with all traction devices
- Weight bag: 20 lbs.

Code WA345

Angle Finder

- Angle leveling device

Code AF100



SECURTM TRAC

ORTHO TRACTION SYSTEM ACCESSORIES

SECURBUCKS TRACTION BOOTS

- Constructed with convoluted foam and webbing
- Velcro-Brand fastening straps for extra security
- Medial and lateral stays give added stability
- Full-foot design to help avoid foot drop
- Trimmable foam body and straps for a custom fit
- Metal foot spreader attachment to help provide an even pull without pressure over the malleoli
- Colour-coded sizes for easy identification



INDICATIONS:

1. Trial treatment of nerve root disorders
2. Sciatica
3. Muscle spasms
4. Minor fractures of the lower spine
5. Temporary stabilization of fractured hips or fractures of the femoral shaft

CODE	COLOUR	SIZE	LENGTH	CIRCUMFERENCE/CALF
STB-A	Red	Small/ Medium	50cm	30-40cm
STB-B	R/Blue	Medium /Large	50cm	40-50cm
STB-C	Green	Large/X/Large	50cm	50-60cm